

MBAS40

AADHAAR ENABLED BIOMETRIC ATTENDANCE SYSTEM



Face ID



Fingerprint



Camera



In-Built WiFi



3G/4G



Android



Facial Recognition



Fingerprint Scanner



RFID Card

Overview

Mantra's 7" LI AEBAS Device MBAS40 is engineered for high-accuracy biometric identification, combining advanced algorithms with a PIV/STQC LI-certified MFS110 scratch-free optical fingerprint sensor and an 8MP facial recognition system. It is ideally suited for Aadhaar-enabled time attendance tracking across government and enterprise environments.

Designed for wall-mount deployment, the MBAS40 features a scratch-resistant capacitive touchscreen with toughened glass for durability in high-traffic settings. Its efficient thermal management ensures stable performance even during continuous operation. With dual biometric authentication—fingerprint and face recognition—the device delivers secure, reliable identity verification.

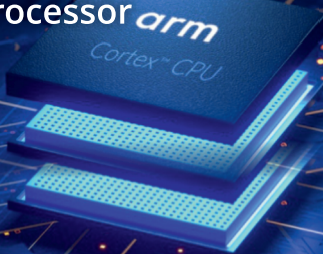
Equipped with built-in 4G LTE, Ethernet, Wi-Fi, and GPS, the MBAS40 offers seamless connectivity. The integrated 6,000 mAh rechargeable battery with auto sleep and wake-up functionality supports extended usage, making the device a dependable solution for uninterrupted attendance and access control operations.

Main Features



Fingerprint Scanner

**ARM Cortex A53
@2.0GHz Quad Core
Processor**




**8 Mega Pixel
Auto Focus 10-150cm**
While LED Auto ON-OFF based on ambient Lighting



**4GB RAM
+ 32GB Flash**



Certifications



Technical Specification

Hardware & System

| | | |
|---|---|--|
| CPU ARM Cortex A53 @2.0GHz Quad Core Processor | Memory 4GB RAM + 32GB Flash | LCD 7" TFT LCD with 1024x600 Resolution |
| Touch Scratch Resistant Multi-Point Capacitive Touch Screen with 6H Toughen Glass | Audio High-Quality 1W Speaker for Announcements | Object Detection sensor IR based Proximity sensor for device auto sleep & Wakeup |
| Operating System GMS Certified Android 14 | RTC Yes | Control Buttons 1x Power On/Off, 1x Reset Key |
| Operating / Storage Temperature 0 Deg - 50 Deg C | Operating Humidity 10%-90% RH (Non-Condensing) | Dimensions 238 x 185 x 37mm |
| Weight Approx 0.8Kg | Certifications CE, RoHS, BIS, IP54 | |

Fingerprint Sensor (Model: MFS110)

| | | |
|---|--|---|
| Fingerprint Type Scratch Free Optical FAP10 Sensor | Fingerprint Image 276 x 336 Pixels (Platen Area: 14.0 mm x 17.0 mm) | Image Specs 500DPI, 8 Bit Grayscale |
| Certifications CE, FCC, RoHS, STQC L1, UIDAI, FBI PIV, EN/IEC 62368-1, IS13252 Part I | | |

Facial Camera Sensor

| | | |
|---|--|---|
| Camera Resolution 8 Mega Pixel | Camera Focus Auto Focus 10-150cm | Camera Illumination White LED Auto ON-OFF based on ambient Lighting |
| Camera Interface MIPI interface with OS control | | |

Smart Card Reader(Optional)

Contactless Card (Optional)
ISO14443 Type A/B Cards,
MIFARE Classic 1K/2K/4K
MIFARE DESFire Light 1K
MIFARE DESFire EV1/EV2 4K
MIFARE Plus S 2K
NTAG

Electrical

| | |
|---|--|
| Power Adaptor Input AC: 90~265V, 50Hz Output DC: 5V/3.0A | Battery Capacity Li-Ion 6000 mAh Rechargeable & Replaceable Battery |
|---|--|

Technical Specification

Interfaces

4G/3G/GPRS

2G GSM/GPRS/EDGE: 850/900/1800/1900
3G WCDMA: B1/B2/B5/B8
4G FDD: B1/B3/B5/B7/B8/B38/B40/B41
4G TDD: All Band

Wi-Fi

IEEE 802.11 a/b/g/n/ac

GPS

16 Channel NMEA Compliant with Flex Antenna, AGPS Supported

SD Card

MicroSD Card (Supports up to 256 GB)

Bluetooth

BT & BLE 5.0

Ethernet

10/100 Mbps

SIM Socket

2 x Micro SIM Socket

SAM Socket

2 x SAM Card (As per ISO7816 standard)

DC Jack

1 x DC Power Input

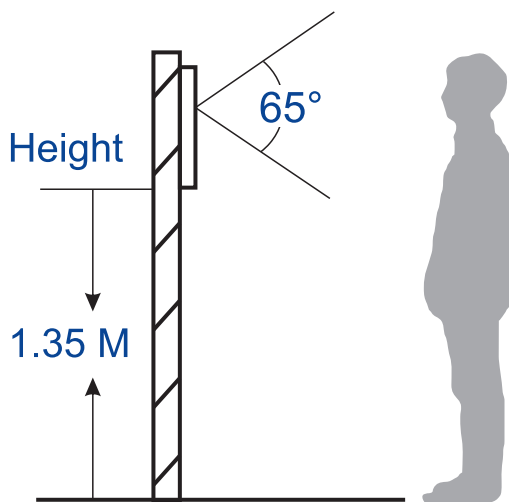
Micro USB

1 x Micro USB Port for PC Connection as debug port

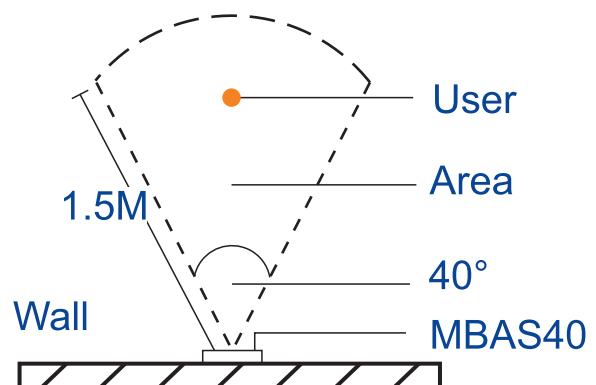
USB 2.0

1 x USB2.0 Type A Connector

Vertical Wide Angle



Horizontal Wide Angle





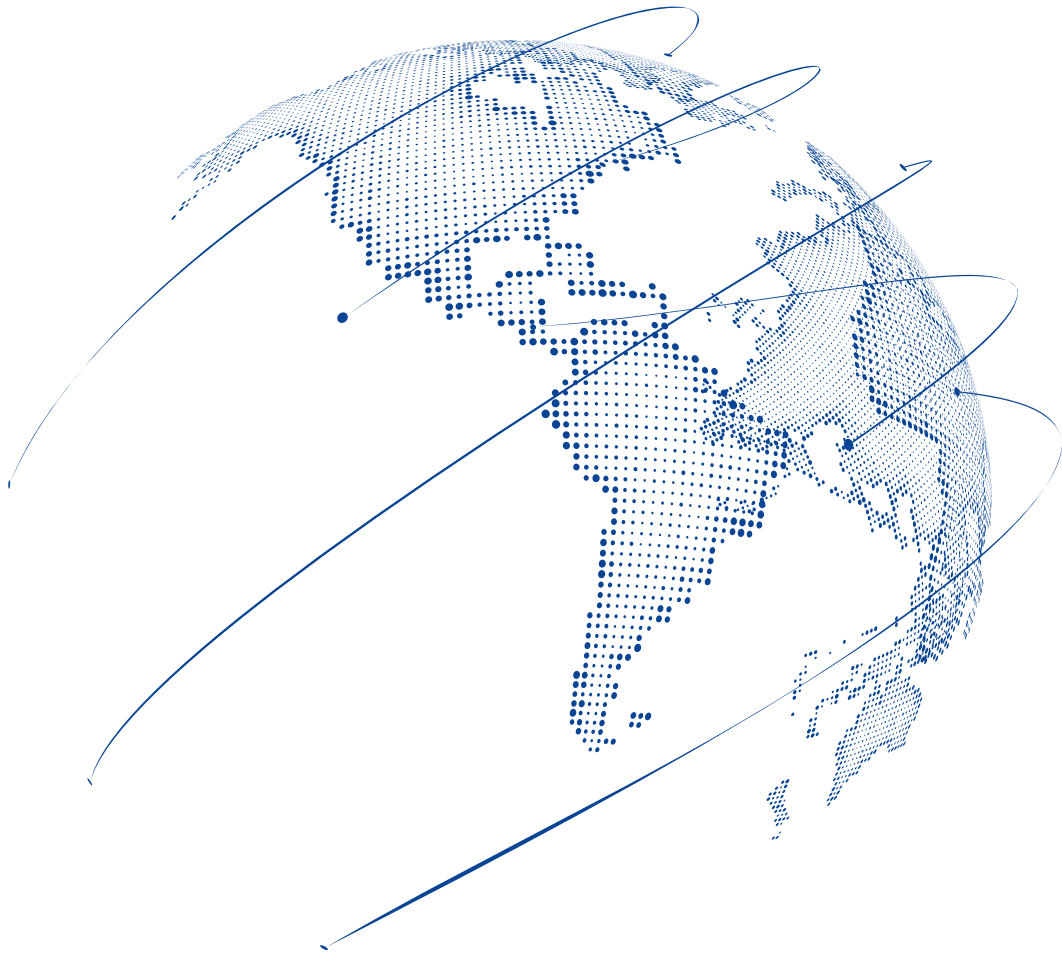
SMARTZ

Biometric Attendance & Access Control System

MANTRA



smartsecureit@gmail.com



MANTRA

Copyrights Mantra Softech (India) Pvt Ltd. All Rights Reserved.



SMARTZ

Biometric Attendance & Access Control System

9779340082/8699467082
smartsecureit@gmail.com