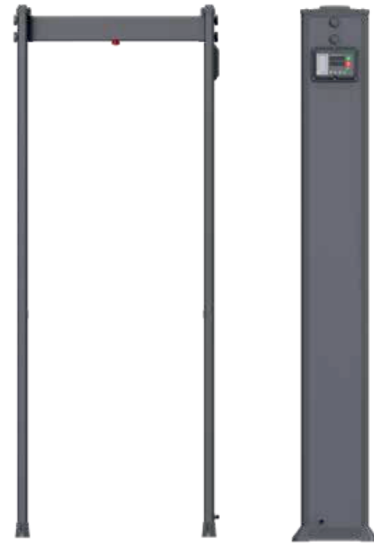


Walk through Metal Detector - 9 zone Door Side Controller

D270-9-IP54



Specification

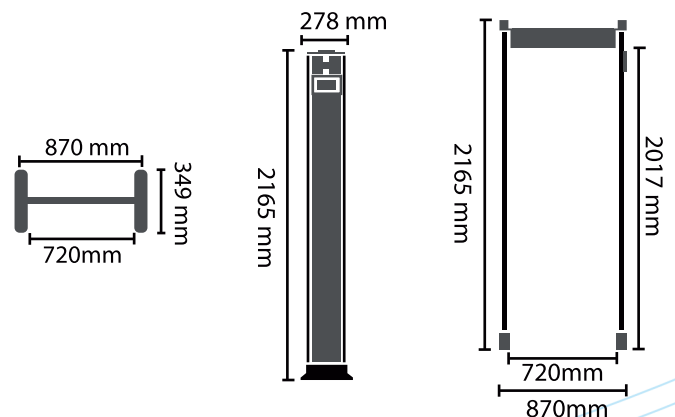
Working principle : Electromagnetic
 Materials : ABS (Acrylonitrile Butadiene styrene) raw materials
 Frequencies : 0-100.
 Net weight : 21 KG
 Gross weight : 27 KG
 External size : 2165x828x349mm
 Passage size : 2017x720x349mm
 Working humidity : 99%, non-condensing
 Working temperature : -20°C-65°C
 Input : AC 100 V-240 V/ Frequency 50HZ-60HZ
 Product colour : Matte Black
 IP rating : 54 - [Dust proof coating]
 Sensitivity adjustable : 0 - 400
 Volume adjustable : 0 - 50
 Alarm volume : 0 - 3 sec
 Alarm tones : 15 different tone
 Detection : Ferrous metals <75gm



Features

- Ergonomic structure new design.
- High bright new LED digital with zones display.
- Support multi zones by selecting 3/6/9
- Easy fixing of cross beams with side door DFMD controller.
- Helps in detection of prohibited items.
- Infrared sensor for pass count & alarm count.
- Simple installation 2 doors (R & L), cross beam with wire probe.

Dimension



Disclaimer : Brief specifications are mentioned here. Specifications may change without prior notice. Customers are advised to check with us before purchase. Actual product may differ slightly to that depicted for ongoing product development.